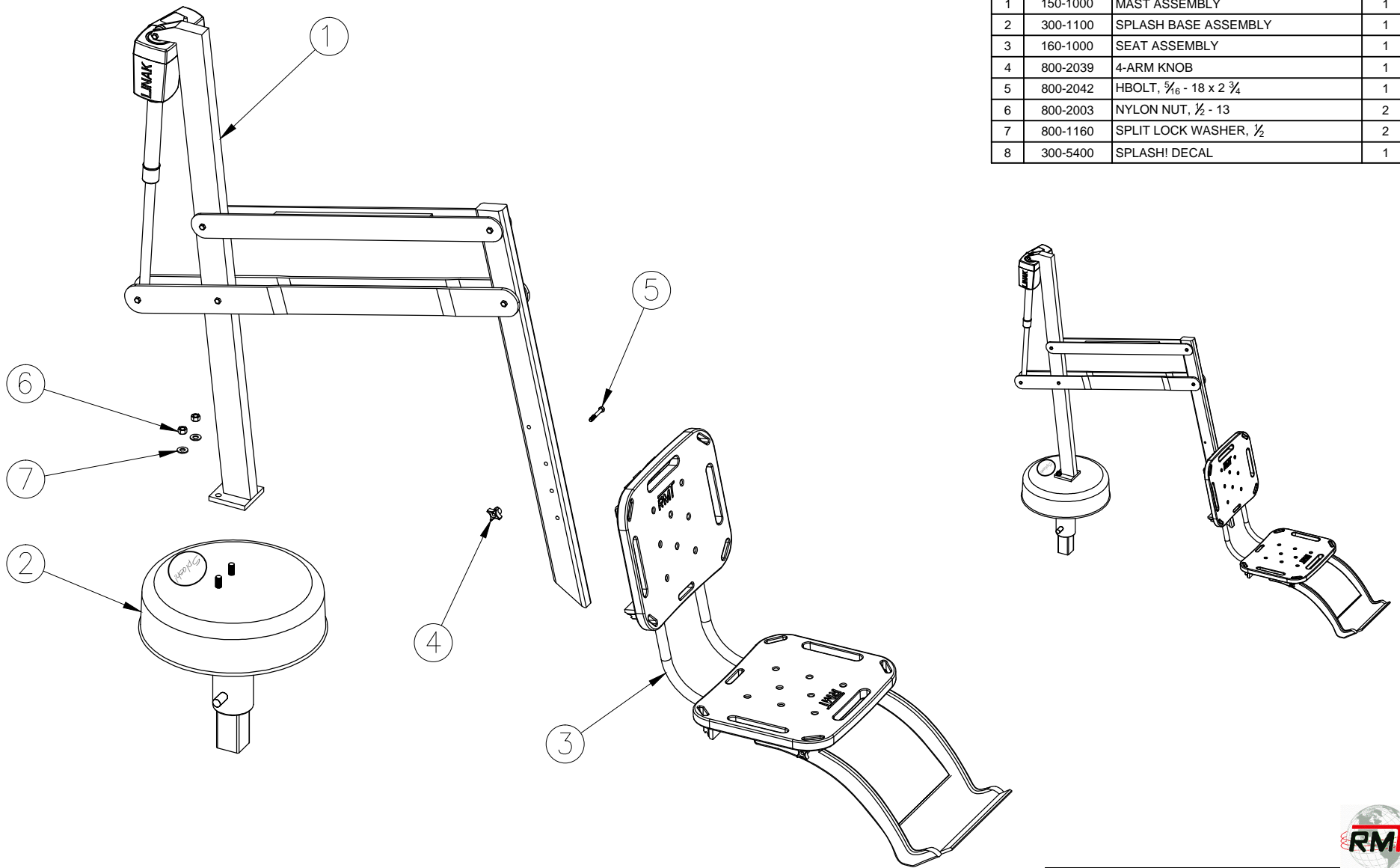


BOM			
No.	P/N	DESCRIPTION	QTY
1	150-1000	MAST ASSEMBLY	1
2	300-1100	SPLASH BASE ASSEMBLY	1
3	160-1000	SEAT ASSEMBLY	1
4	800-2039	4-ARM KNOB	1
5	800-2042	HBOLT, $\frac{5}{16}$ - 18 x 2 $\frac{3}{4}$	1
6	800-2003	NYLON NUT, $\frac{1}{2}$ - 13	2
7	800-1160	SPLIT LOCK WASHER, $\frac{1}{2}$	2
8	300-5400	SPLASH! DECAL	1



RehaMed International T: 305-247-8300  
 522 W. Mowry Dr. F: 305-247-8304  
 Homestead, FL 33030 E: info@poollifts.com

Description: **SPLASH! FINAL ASSEMBLY**

THIS INFORMATION AND DATA CONTAINED  
 HEREIN ARE THE EXCLUSIVE PROPERTY OF  
 RehaMed International. THIS DOCUMENT MAY  
 NOT BE COPIED OR PUBLISHED OR  
 DISCLOSED WITHOUT THE EXPRESSED  
 WRITTEN CONSENT OF RehaMed International.

Drawn: SY 08-30-09  
 Checked: LC 09-11-09  
 Approved: LC 09-11-09

P/N: 300-0000 Scale: NTS Date: 09-11-09  
 File: eng/cust/Prod-R009/explo/300-0000Splash Page: 1 of 1