



i-swim

Push your  
boundaries



POOL LIFTS

## WELCOME TO AUTOLIFT

Autolift S.r.l. is a young, dynamic company. With twenty years of experience in the lifting sector, the company has specialized in the production of equipment for wheelchair accessibility. Thanks to highly specialized staff, cutting-edge technologies and full range of products, Autolift S.r.l. can meet the market demand for motor vehicle outfitting to serve both private and public use clients.

The company's mission focuses on:

- Ongoing research to find the best solutions to eliminate the barriers to access and transport for people with disabilities.
- Development and engineering of special devices to cover the full range of requirements from our global clientele.
- Produce aids that comply with current regulations concerning the disabled, first aid and public transport.
- Offer prompt, efficient support that enables installers to provide their customers with impeccable service both during installation and after-sales (warranty, spare parts, support).
- An offering that can even meet the needs of people with disabilities to board trains, ships and aircraft as per European regulations.
- Compliance of all our products with CE markings and regulations on electromagnetic compatibility. Each product, whether a lift or access step, comes not only with the relative manuals, but also with certificates of origin and conformity.

The i-swim pool lifts enables people with limited mobility to access any type of pool independently.. They are available in mobile and fixed version.

In this catalogue you will find:

---

### Pool lifts

### Mobile

Page 04 - i-swim  
Page 06 - i-swim2

---

### Pool lifts

### Fixed

Page 10 - i-swim3

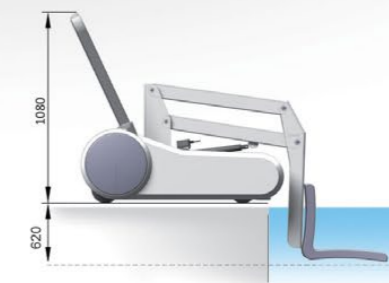
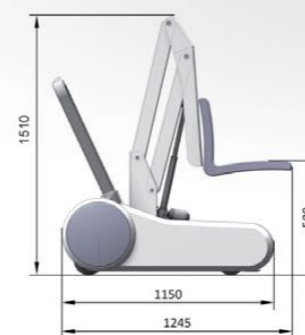
Push your boundaries



## Technical features

## I-Swim Pool Lift

Structure Materials	Aluminum / Stainless Steel
Nr of Wheels	4 (2 with brake)
Lifting structure	Parallelogram
Painting	Powder Coating
Safety	Anti-Tip and Stabilizing System – Patented
Lifting Capacity	136 Kg
Own Weight	ca. 140 Kg
Voltage	24V
Battery datas	2 Batteries – 2 x 18Amp
Battery Working range	50 Cycles approx.
Battery Charger	Included
Instruments (on Handrail)	Battery Load Indicator Up-Down Push Buttons Emergency Stop Button



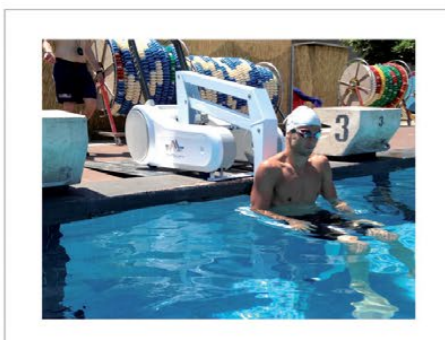
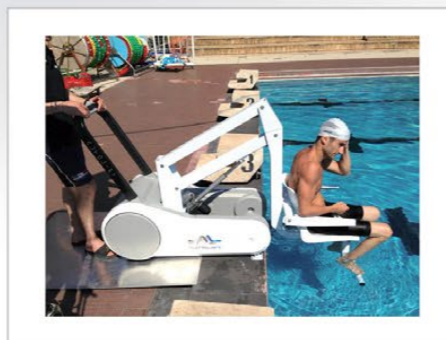
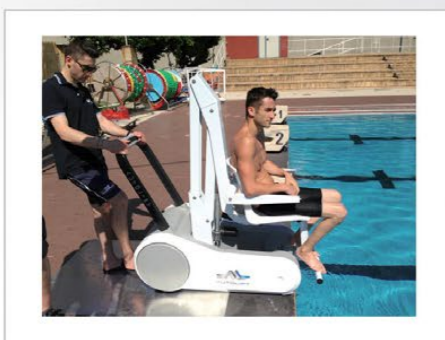
## Lift Dimensions

Length	1245 mm
Width	640 mm
Height	1510 mm

## I-Swim complies the following regulations:

Directive 2006/42/CE  
Directive 2004/108/EC  
UNI EN ISO 10535  
93/42/CEE

Machine Directive  
EMC Electromagnetic Compatibility  
Hoist For The Transfer of Disabled Persons  
Medical Device Directive



# i-swim2

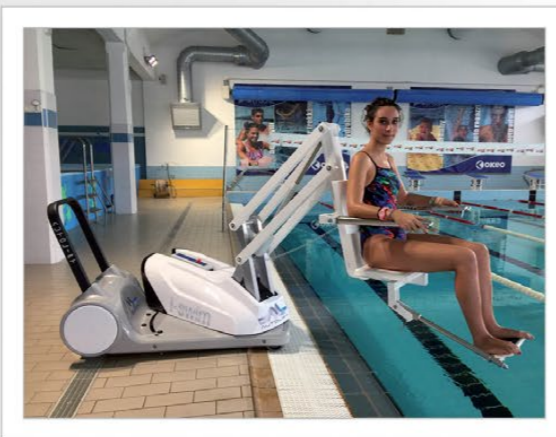
Standard & SPA



Push your boundaries



Suitable for every kind of swimming pool deck

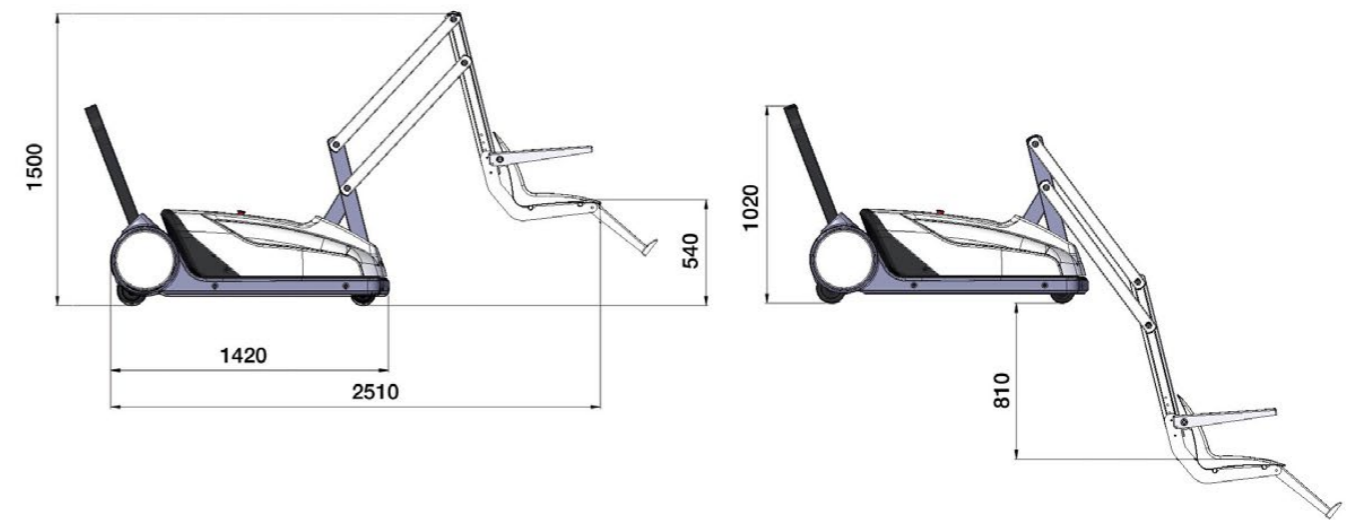


Turning seat for independent swimming pool access

*i-swim2 enables independent swimming pool access*

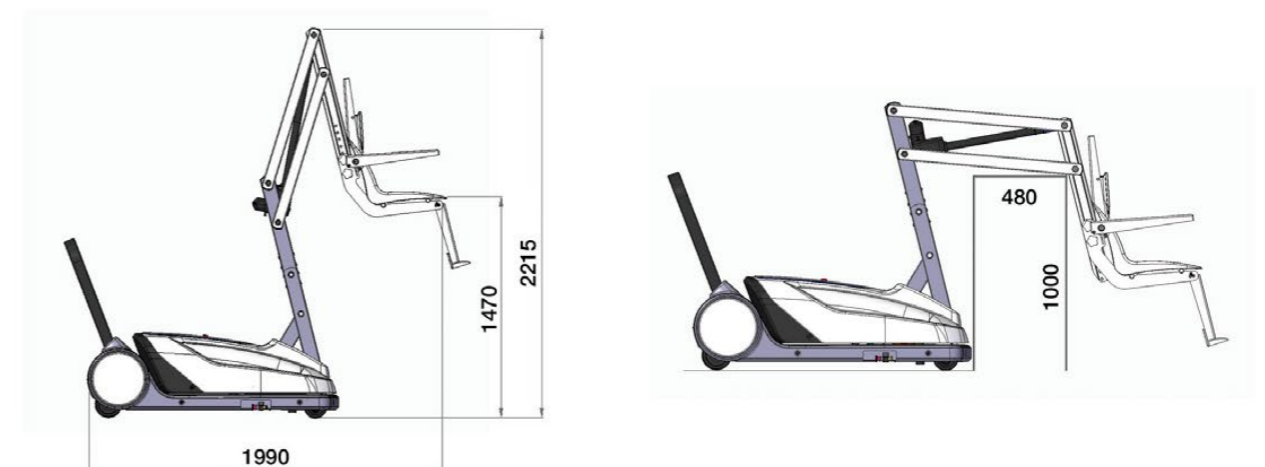
## Standard Model

i-swim2 is used in case of in-ground pools with / or without small curbs.



## SPA Model

i-swim2 SPA is the perfect solution for above ground pools, SPA and wellness centers.



## Water access

In addition to the chosen lift Model the customer can order separately a different seat model or the stretcher. Thereby the same lift can be quickly configured for different needs.

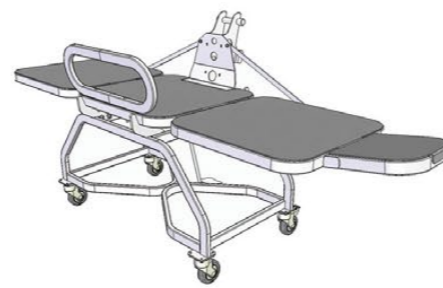
FIX SEAT



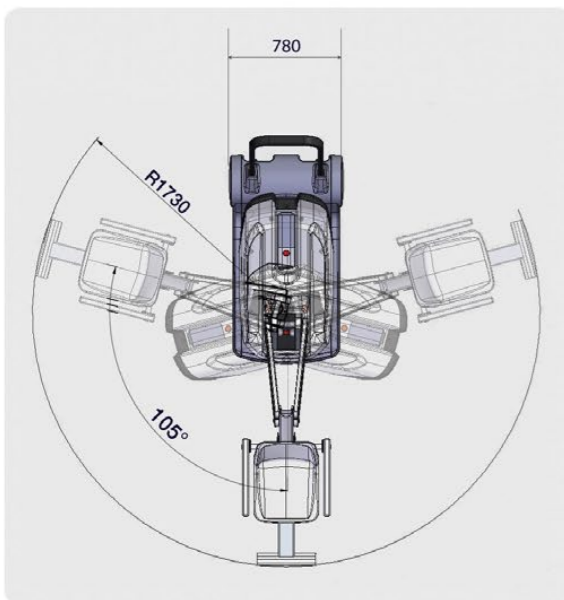
MOBILE SEAT



STRETCHER



### LIFT DIMENSION



### TECHNICAL FEATURES

Structure Materials	Aluminum / Stainless Steel
Nr of Wheels	4 (2 with brake)
Lifting structure	Parallelogram
Painting	Powder Coating
Lifting Capacity	136 Kg
Own Weight	ca. 300 Kg
Voltage	24V
Battery datas	Range 50 cycles with charge indicator
Battery Charger	Included
Instruments	Pendant remote control Emergency Stop Button on the battery

### I-Swim complies the following regulations:

Directive 2006/42/CE  
 Directive 2004/108/EC  
 UNI EN ISO 10535  
 93/42/CEE

Machine Directive  
 EMC Electromagnetic Compatibility  
 Hoist For The Transfer of Disabled Persons  
 Medical Device Directive

# FIXED POOL LIFT

# i-swim3

Push your boundaries



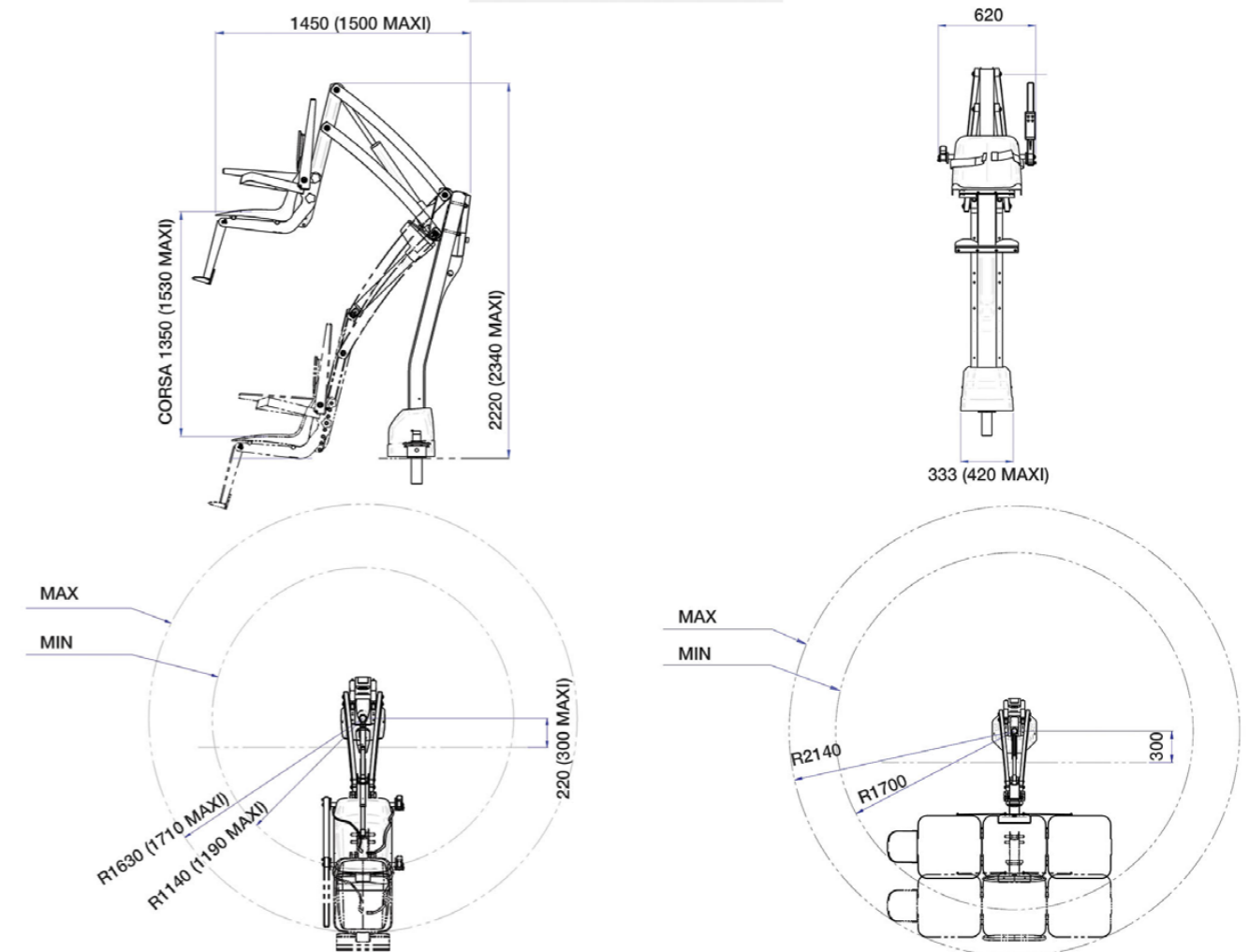
## i-swim3 – the innovative pool lift, adaptable to your needs

The unique movable arms system provides multiple configurations and great flexibility. I-swim3 is the smart solution for a wide range of pool decks, wellness and rehabilitation centers.

i-swim 3 is available in 2 different sizes: STANDARD with 180 kg lifting capacity, or MAXI with extended arms and 250 kg capacity.

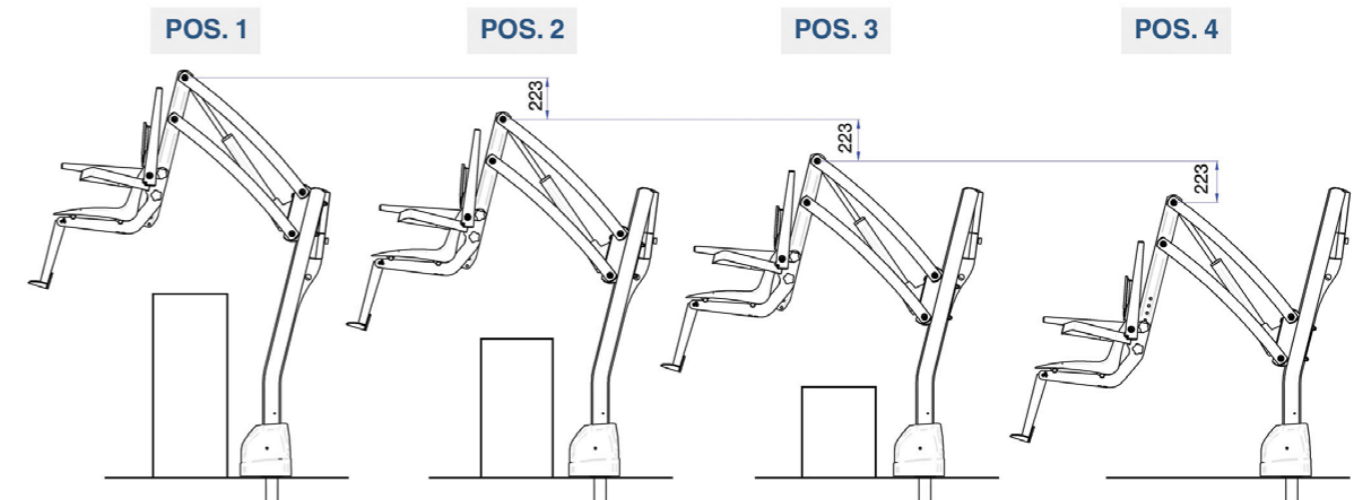
The lift can be equipped with a fix seat, movable seat or with a stretcher as well.

### Dimensions



### Configurations

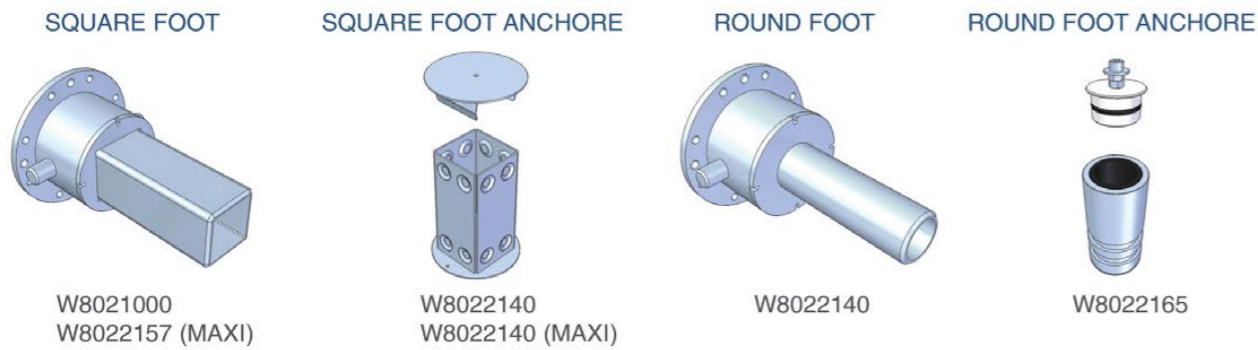
The arms can be set in 4 different positions to configure the device for different pool decks.



## Lift Models

Model	Description	Lifting Capacity	Max Travel
W8022001-01	STD - 180 KG - FIX SEAT	180 kg	1350 mm
W8022001-02	STD - 180 KG - MOBILE SEAT	180 kg	1350 mm
W8022001-03	STD - 180 KG - STRETCHER	180 kg	1350 mm
W8022002-01	MAXI - 250 KG - FIX SEAT	250 kg	1530 mm
W8022002-02	MAXI - 250 KG - MOBILE SEAT	250 kg	1530 mm
W8022002-03	MAXI - 250 KG - STRETCHER	250 kg	1530 mm

The lift fixation kit has to be ordered separately and customer can choose between a square foot or a round foot. The i-swim3 maxi is available only with square foot.



## Water access

In addition to the chosen lift Model the customer can order separately a different seat model or the stretcher. Thereby the same lift can be quickly configured for different needs.



## Parts and accessories

Lift carrier W8020536  
Lift cover W8020537

Stability belt W8020538  
Additional battery W8020539



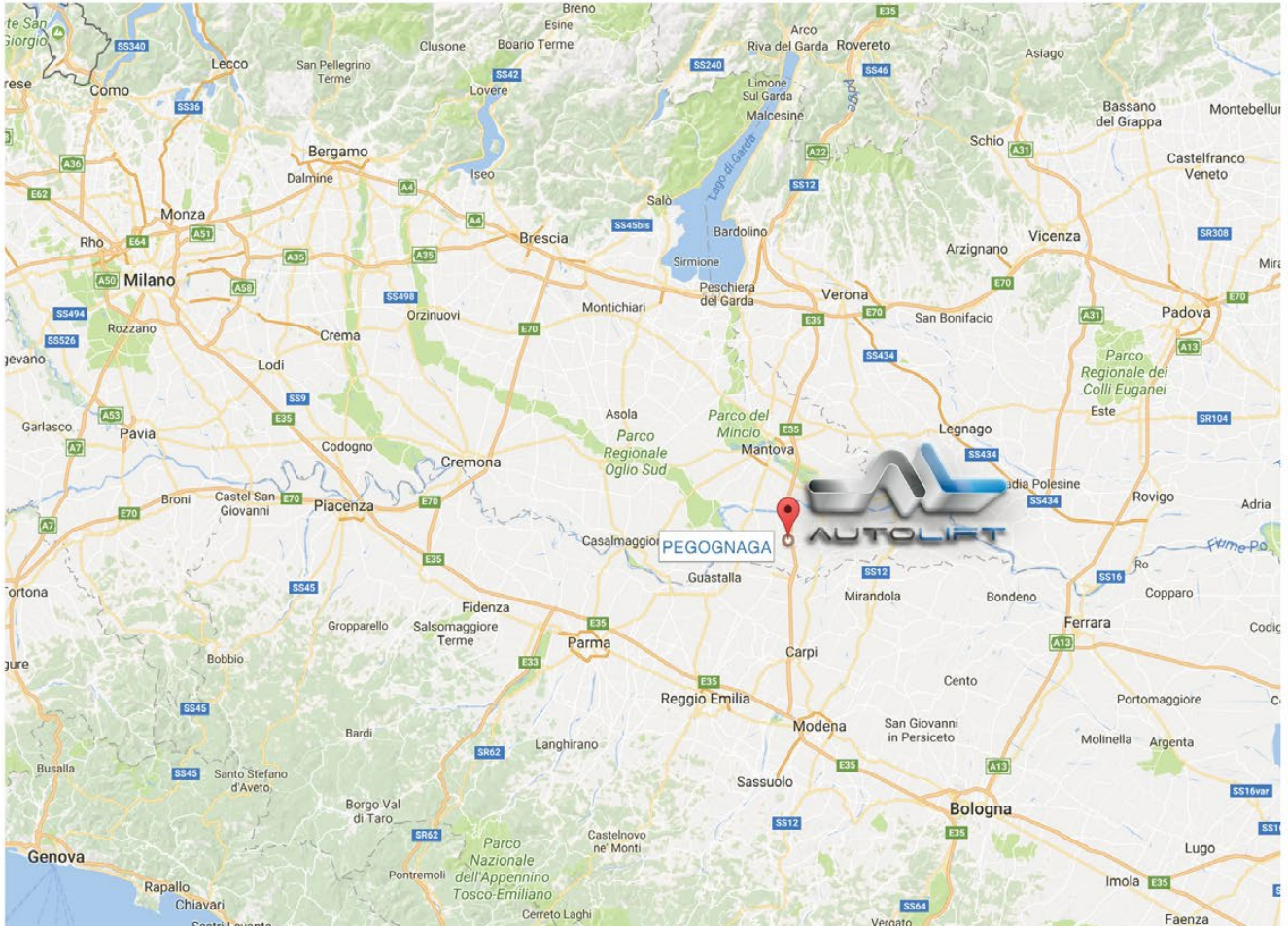
## GENERAL TECHNICAL DATAS

Structure	Aluminum / Stainless Steel
Rotation	360°
Coating	Powder Coating
Lifting capacity	180 kg / 250 kg MAXI
Tension	24V
Battery charger	included
Battery duration	50 cycles
Controls	4 buttons Pendant Switch
	Emergency stop
	Battery load indicator

## I-Swim complies the following regulations:

Directive 2006/42/CE  
Directive 2004/108/EC  
UNI EN ISO 10535  
93/42/CEE

Machine Directive  
EMC Electromagnetic Compatibility  
Hoist For The Transfer of Disabled Persons  
Medical Device Directive



Autolift S.r.l. is the leading Italian manufacturer of lifts, steps and assistance equipment for the transportation of disabled persons. All products are **MADE IN ITALY** and are marketed nationwide and throughout Europe. Our factory is located in Mantua, near the Pegognaga highway exit.

AUTOLIFT S.r.l.

Via B. Trentin, 8 - 46020 Pegognaga (MN)

Tel. +39 0376 550375 - Fax +39 0376 553728 - E-mail [info@autoliftsrl.com](mailto:info@autoliftsrl.com)

**WWW.AUTOLIFTSRL.COM**