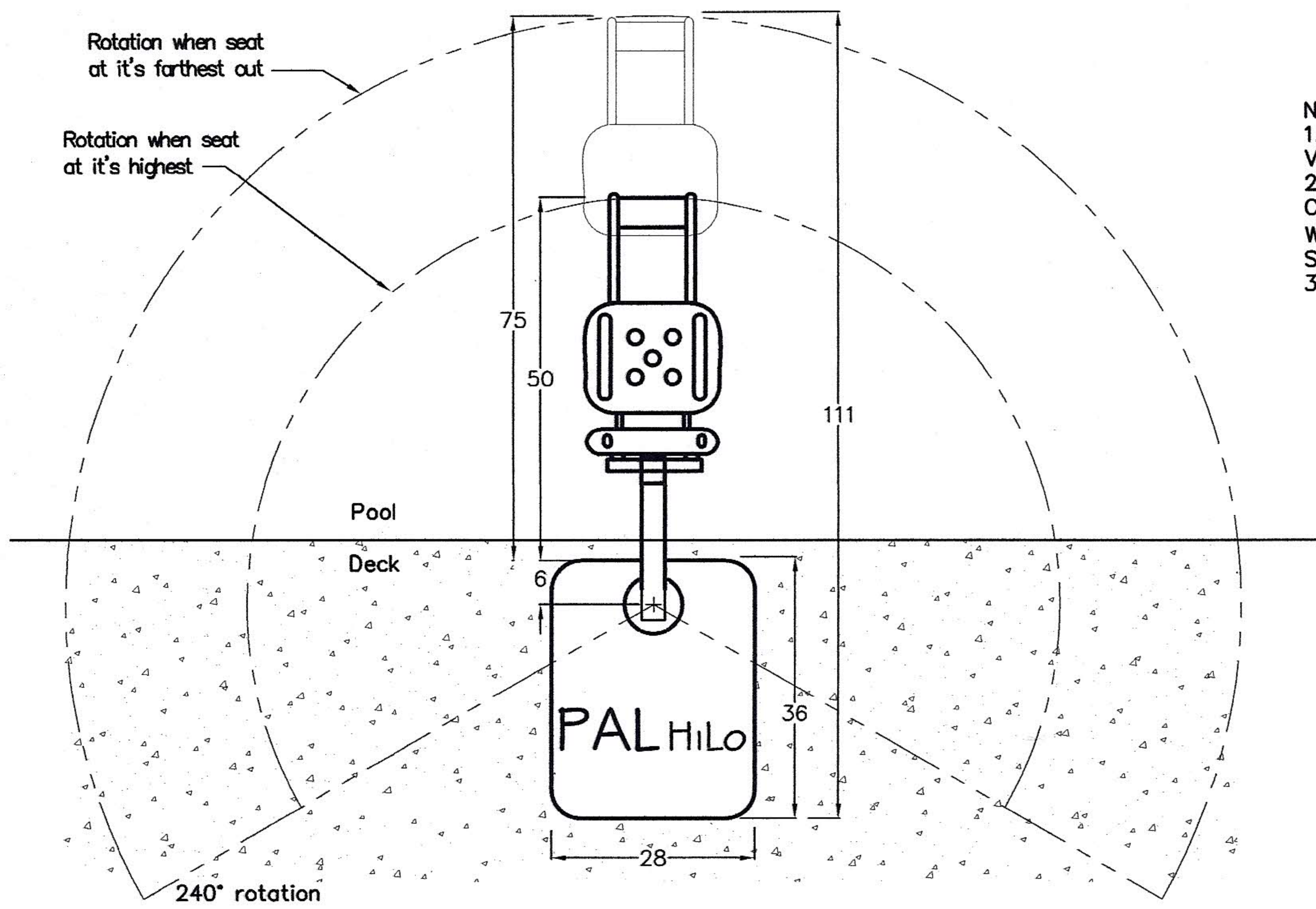
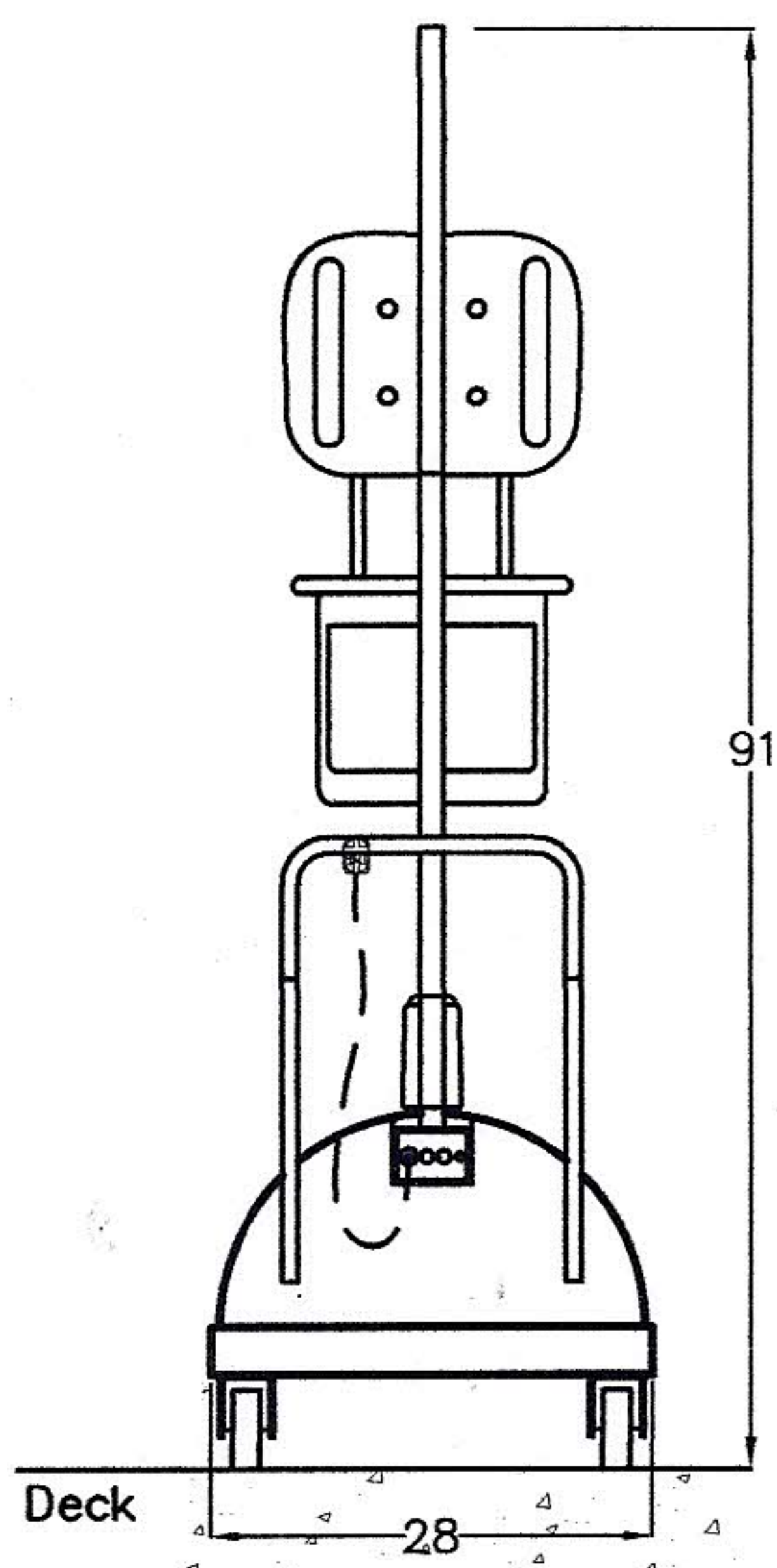


PAL HI-LO POOL LIFT

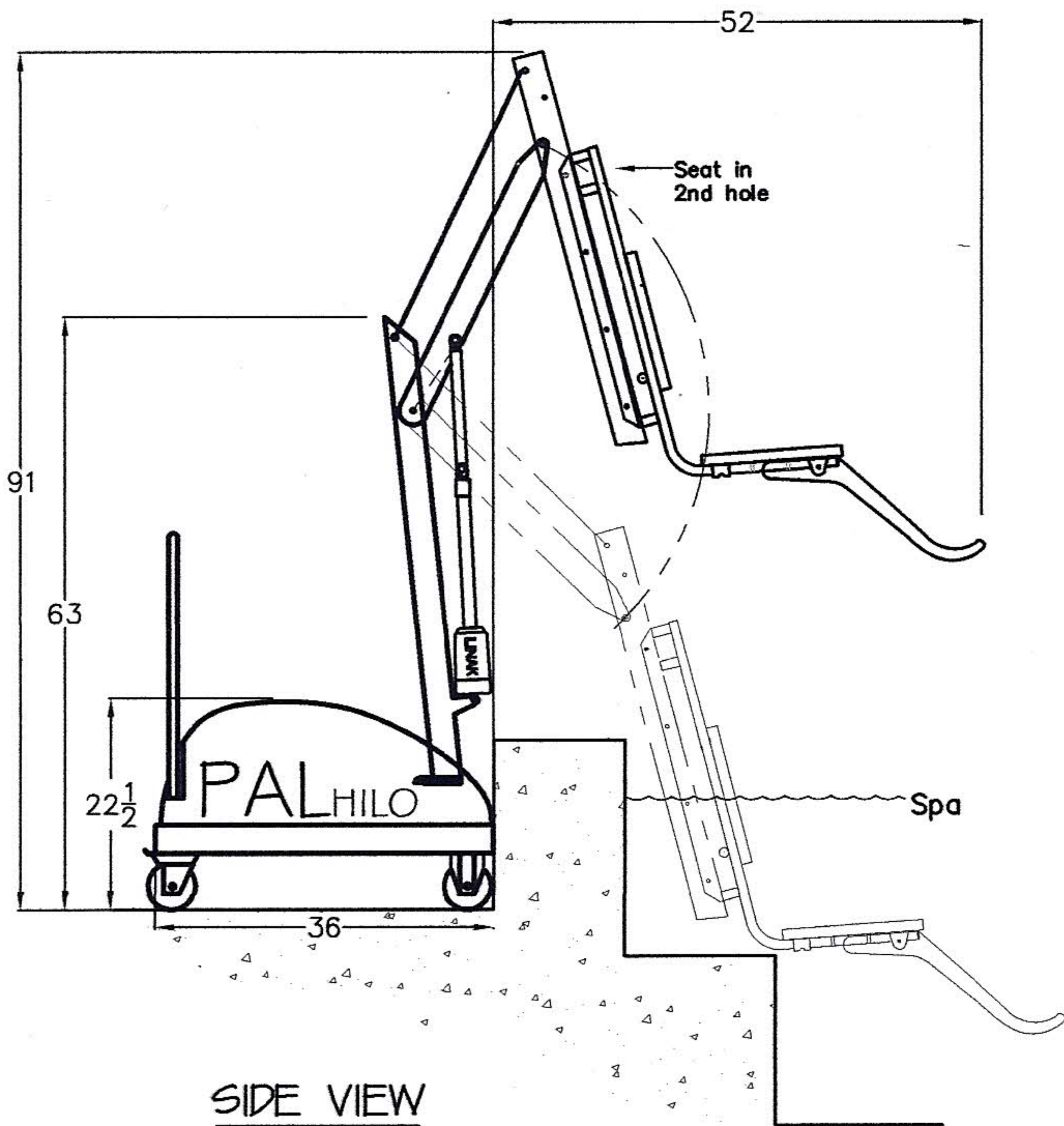


TOP VIEW

- NOTES:
 1. DRAWINGS SHOW KEY VIEWS OF LIFT.
 2. INSTALLATION TO BE COMPLETED IN ACCORDANCE WITH MANUFACTURER'S SPECIFICATIONS.
 3. DO NOT SCALE DRAWINGS.



BACK VIEW



SIDE VIEW

This represents the most current information on this product. However, RehaMed International assumes no liability for its use.

© 2009 RehaMed International



RehaMed International
 522 W. Mowry Dr.
 Homestead, FL 33030
 www.groupmrt.com

T: 800.577-4424
 T: 305.247-8300
 F: 305.247-8304
 E: info@poollifts.com

Product: PAL HILO LIFT		Part Number: 250-0000	
Drawn by: LC	Date: 06-23-09	Approved by: JC	Date: 06-25-09
Drawing #: 250-0000		Rev: 0	Sheet: 0